

For Your Safety (1/2)

To prevent damage to your product or injury to yourself... Do not disassemble or attempt to reach out of the product...

For Your Safety (2/2)

請在安裝電池前請先閱讀此說明書... 請勿拆解或改造... 請勿在乾燥或炎熱的環境中使用...

Introduction

Thank you for your purchase JY-710 wireless remote controller. The JY-710 is composed by one JY-710TX (transmitter) and one JY-710RX (receiver)...

Part of the JY-710 (1/3)

Please see the back of the cover illustrations. JY-710TX 1. Connector (More models available)...

Part of the JY-710 (2/3)

The JY-710TX 1. Shutter release cable 2. Shutter socket 3. On/Off switch 4. Shutter release button...

Part of the JY-710 (3/3)

The JY-710RX 1. Shutter release cable 2. Shutter socket 3. On/Off switch 4. Shutter release button...

Connecting the JY-710

1. Turn the camera off. 2. Check that the 'T I M E R A C T I V E' and 'R E L E A S E' indicators are not displayed. 3. Remove and Reinsert cord socket terminal cover from the camera...

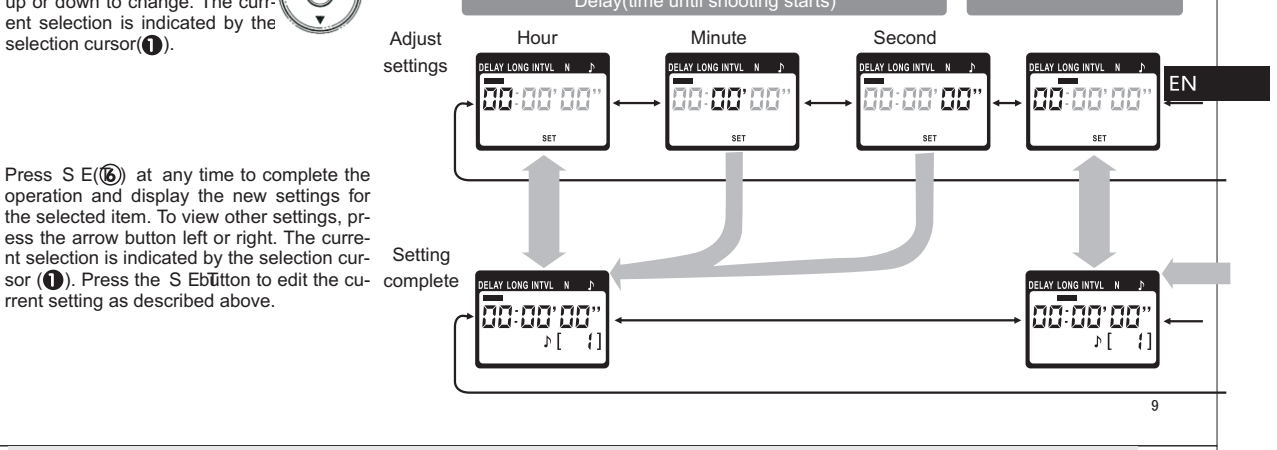
Using the JY-710

The JY-710 functions as: 1. Adjust Camera Settings. 2. Set the Timer. 3. Start the timer. 4. End shooting.

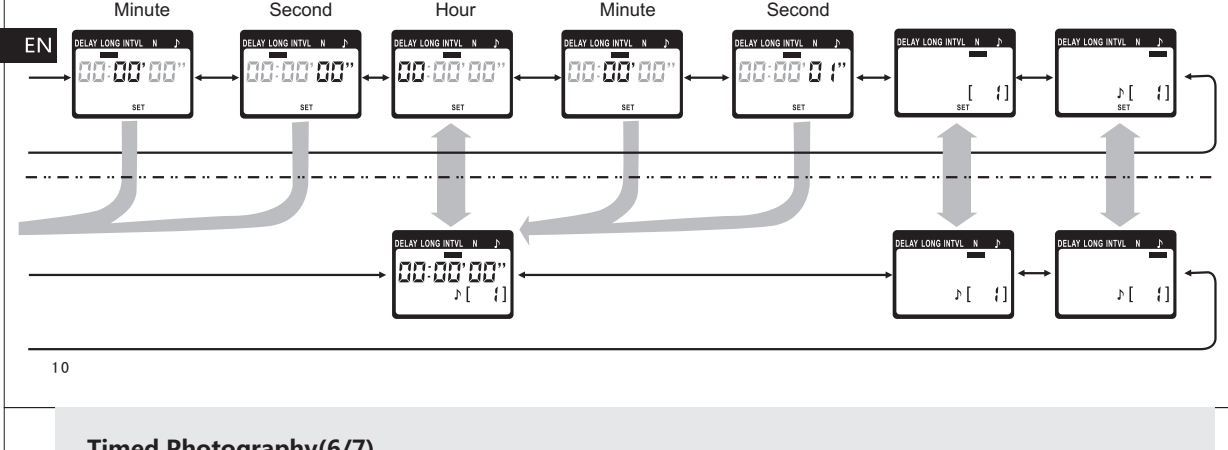
Timed Photography (2/7)

Table with 2 columns: Setting and Supported settings. Rows include DELAY, Exposure time, INTVL, Number of shots, and Speaker on/off.

Timed Photography (3/7)



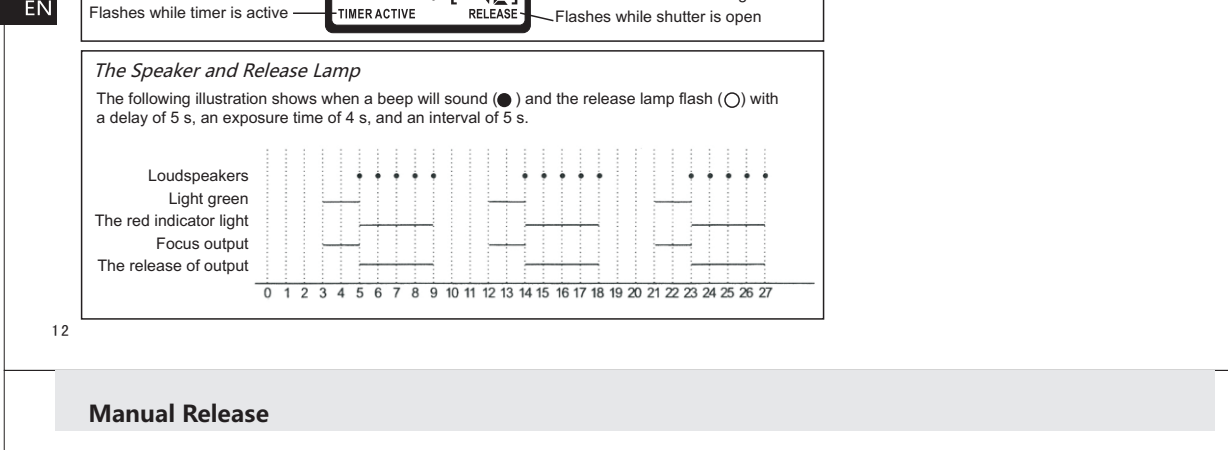
Timed Photography (4/7)



Timed Photography (5/7)

1. Start the timer. Press the S E L E C T button. 2. Adjusting all settings as desired. 3. End shooting. Press the S E L E C T button to end shooting...

Timed Photography (6/7)



Timed Photography (7/7)

Using the timer for extended periods. Check that the batteries have enough charge. Replace the batteries when the low battery indicator flashes in the show panel.

Manual Release

The JY-710 shutter-release button (S) functions in much the same way as the camera shutter-release button. 1. Adjust Camera Settings. 2. Take Pictures.

Precautions for Use

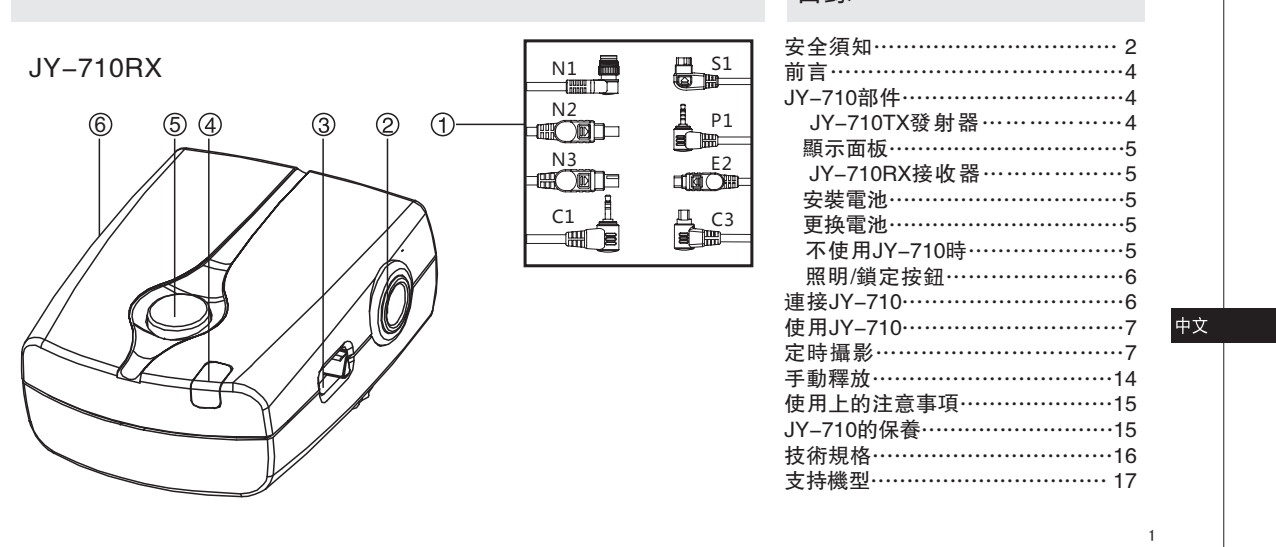
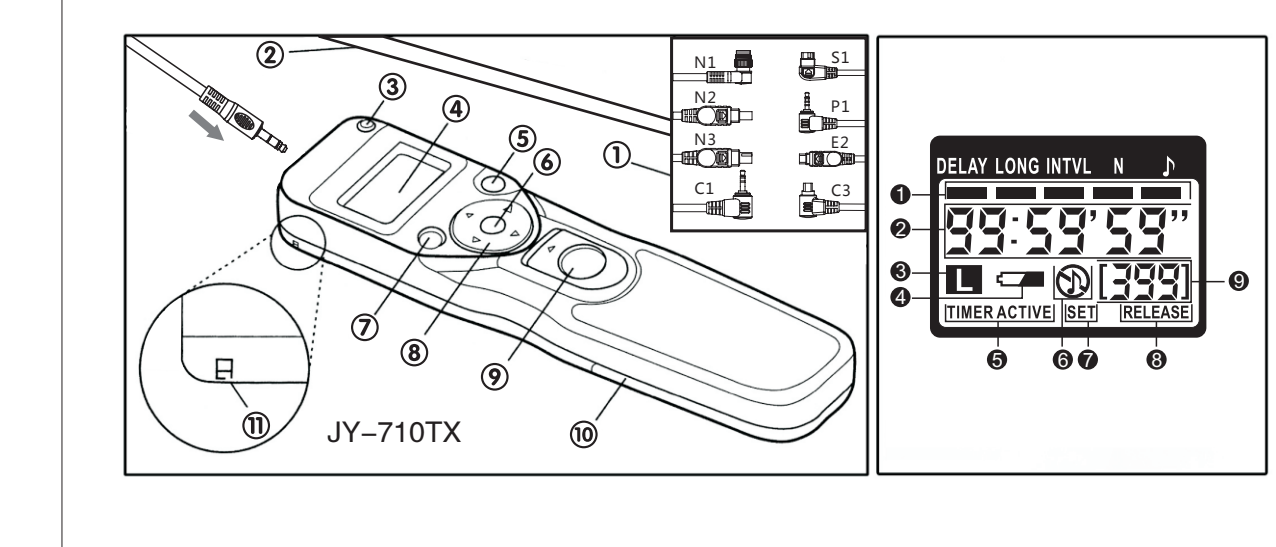
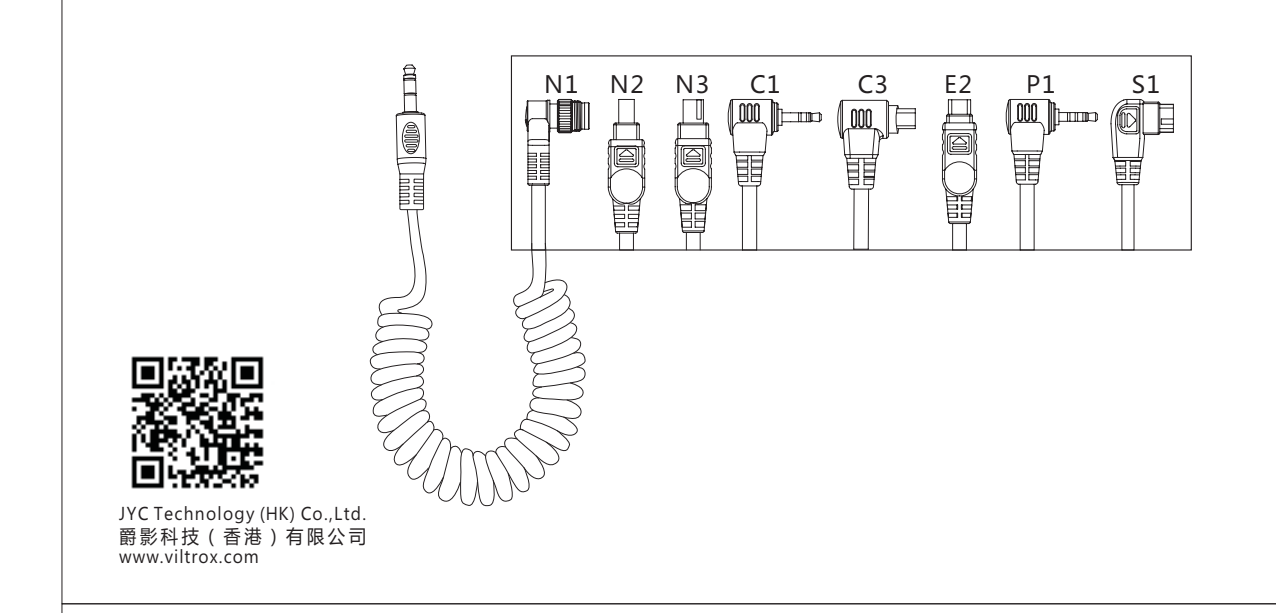
Check the camera battery level and number of exposures remaining before using the JY-710. Do not use the product in wet or humid conditions.

Specifications

Table with 2 columns: Item and Specification. Rows include Supported cameras, Timer delay, Exposure time, Interval, Number of shots, Power source, Battery life, Operating temperature, Opening temperature, Distance, Channels, and Dimensions.

Support model

Table with 2 columns: Model and Camera Model. Rows include Nikon, Canon, Sony, Samsung, Pentax, Olympus, Konica, Minolta, etc.



安全告知 (1/2)

為防止損壞您的相機，或避免您或他人受傷，在使用本產品的遙控器前請先閱讀此說明書...

安全告知 (2/2)

請在安裝電池前請先閱讀此說明書... 請勿拆解或改造... 請勿在乾燥或炎熱的環境中使用...

JY-710 背面 (1/3)

請參閱對應背面的插圖。1. 鎖扣 (多個模型皆可適用) 2. 安裝電池的背蓋 (另類選購; 或用移動電池的背帶或它類似的背帶)...

JY-710 零件 (2/3)

顯示背板 1. 功能光線 2. 功能指示 3. 鎖定指示 4. 電池更換指示...

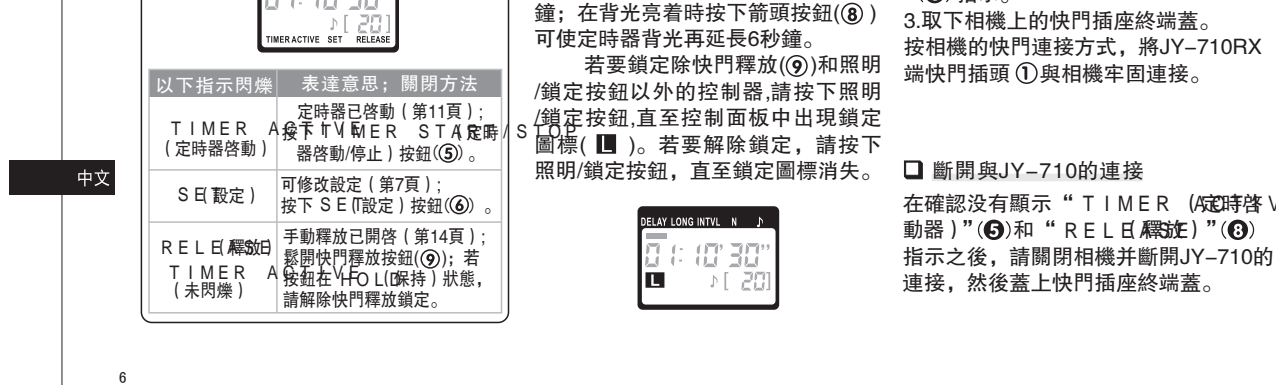
JY-710 零件 (3/3)

照相機遙控器 (BASE) 1. 照相機遙控器 (BASE) 2. 照相機遙控器 (BASE)...

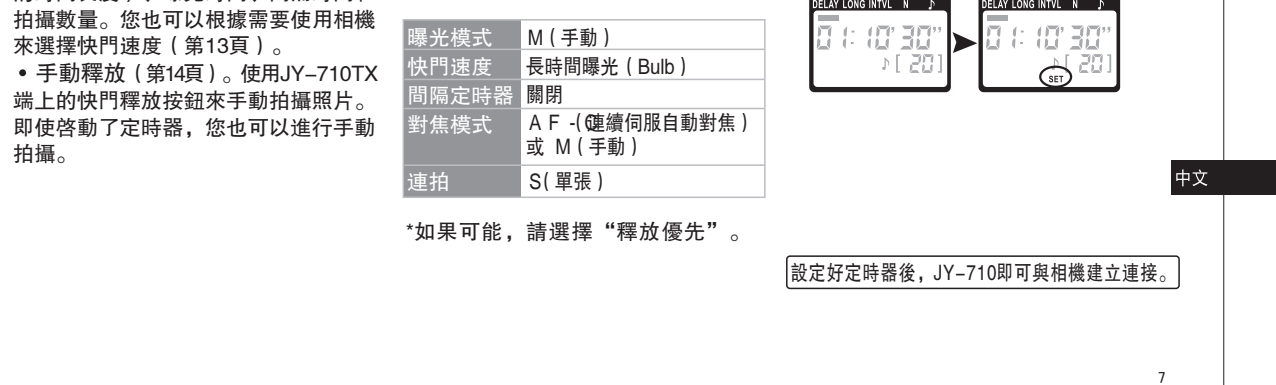
JY-710 零件 (4/3)

使用 JY-710 1. 照相機遙控器 2. 照相機遙控器...

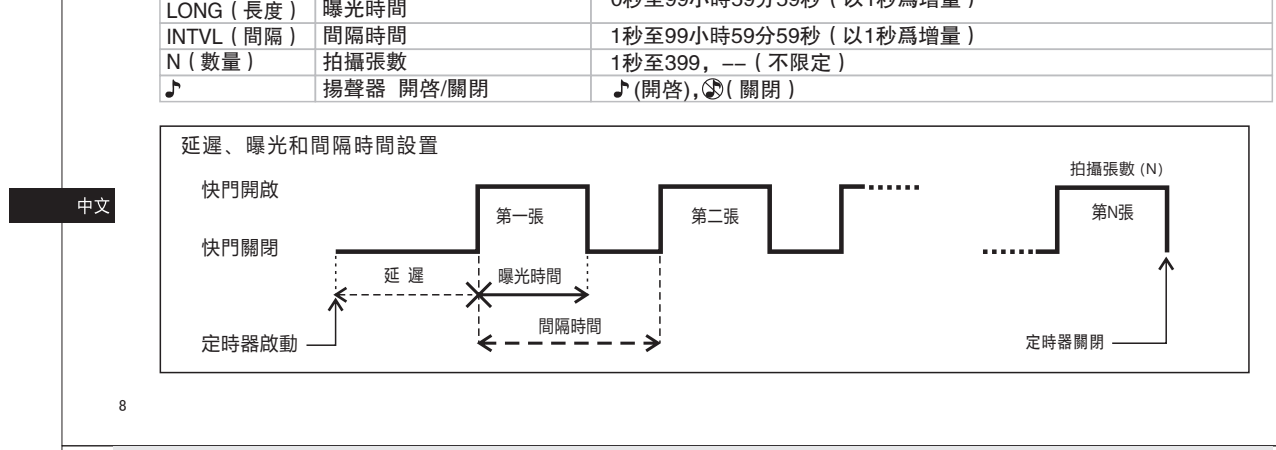
定時攝影 (2/7)



定時攝影 (3/7)



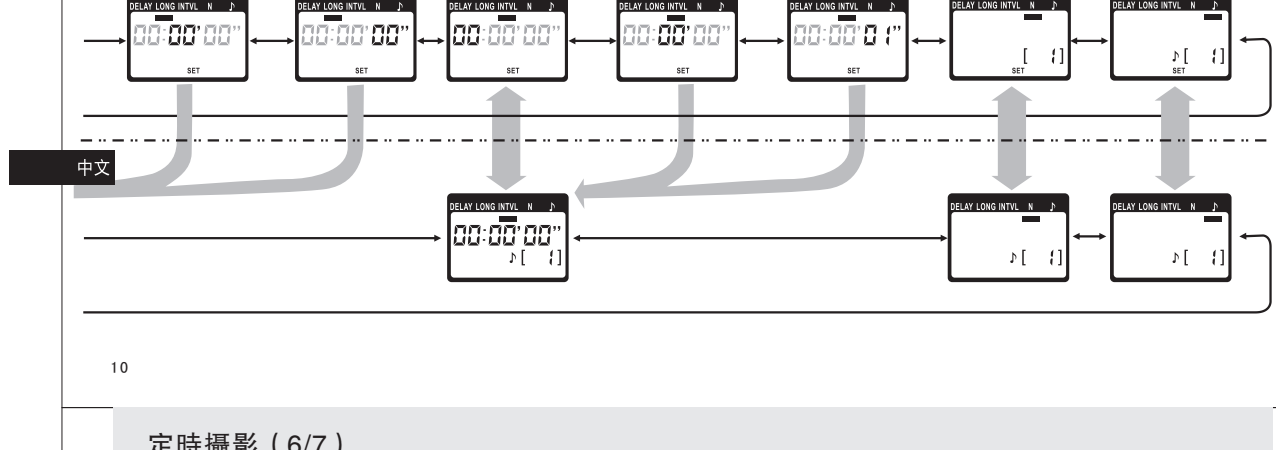
定時攝影 (4/7)



定時攝影 (5/7)

1. 照相機遙控器 2. 照相機遙控器...

定時攝影 (6/7)



定時攝影 (7/7)

使用相機遙控器快速速度。若要使用相機遙控器快速速度拍攝照片，請按下表所示調整設置。

手動釋放

JY-710 的手動釋放按鈕 (B) 和相機快門釋放按鈕 (R) 功能相同。請參閱相機說明書。1. 調整相機快門釋放。2. 調整相機快門釋放。

使用上的注意事項

使用 JY-710 時，請先檢查電池電量及定時器是否會發生故障。1. 照相機遙控器 2. 照相機遙控器...

技術規格

Table with 2 columns: Item and Specification. Rows include Supported cameras, Timer delay, Exposure time, Interval, Number of shots, Power source, Battery life, Operating temperature, Opening temperature, Distance, Channels, and Dimensions.

支持模型

Table with 2 columns: Model and Camera Model. Rows include Nikon, Canon, Sony, Samsung, Pentax, Olympus, Konica, Minolta, etc.